

**AELLE VENTILAZIONE** di Alessandro Lodi

Via Fogazzaro, 6 - 20285 Barlassina (MB)

Tel. 0362-564269 Cell. 3929959529

Email [aelleventilazione@gmail.com](mailto:aelleventilazione@gmail.com)

## **Serie PA5**





Serie di ventilatori a pale avanti costruita per ottenere basse pressioni con basse portate. La serie **PA5** è particolarmente adatta all'aspirazione di aria pulita o debolmente polverosa trovando un vasto utilizzo nella dissipazione del calore da armadi elettrici, locali per generatori, estrusori, lampade, motori ecc. Molto utilizzati anche nella ventilazione di caldaie e piccoli forni. La temperatura del fluido di esercizio può arrivare a +80 °C nell'esecuzione standard e fino a +200 °C nell'esecuzione SV. La girante in lamiera di acciaio zincata è costruita con pale avanti (tipo scirocco). I ventilatori della serie **PA5** sono costruiti di serie in esecuzione 5, forniti cioè senza base di sostegno motore. I motori utilizzati di serie sono in forma B5 a 2,4,6 o 8 poli, chiusi autoventilati e unificati UNEL-MEC grado di protezione IP55 Cl. F.



**Forward blade series of fans manufactured to obtain low pressures with low flow rates. PA5 series is particularly suitable for clean or slightly dusty air suction, finding a wide use in heat dissipation from electrical cubicle, generator rooms, extruders, lamps, motors, etc. They are also much used in ventilation of boilers and little ovens. Working fluid temperature can go up to + 80°C for standard execution and up to + 200°C for SV execution. The impeller, in galvanized steel sheet, is manufactured with forward blades ("scirocco" type). PA5 standard series fans are manufactured in arrangement 5, supplied without motor support base. The installed motors are in B5 construction, 2,4,6 or 8 poles, enclosed self-ventilated and standardized UNEL MEC IP55 Cl. F.**



*Série de ventilateurs à palettes en avant pour obtenir des pressions basses avec des débits bas. La série PA5 est particulièrement adaptée pour l'aspiration d'air propre ou à peine poussiéreux et peut-être utilisée dans la dissipation de chaleur à partir d'armoires électriques, de locaux pour générateurs, des presses d'extrusion, de lampes, de moteurs, etc... Ces ventilateurs sont très utilisés aussi pour la ventilation de chaudières et petits fours. La température du fluide d'exercice peut arriver à +80°C en arrangement standard et jusqu'à +200°C en arrangement SV. La turbine en tôle d'acier zingué est réalisée avec des palettes en avant (type scirocco). Les ventilateurs de la série PA5 sont construits en arrangement 5, c'est à dire sans être équipés de base pour le soutien du moteur. Les moteurs de série sont en forme B5, à 2,4,6, ou 8 pôles, fermés auto-aérés et standardisés UNEL-MEC IP55 Cl.F.*



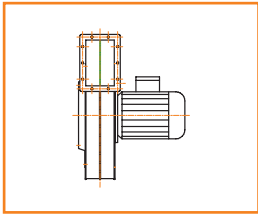
**Reihe von Lüftern mit vorwärts gekrümmten Schaufeln dazu erbaut, um niedrige Luftdrücke mit niedrigen Tragfähigkeiten zu erlangen. Die PA5 Reihe ist fürs Ansaugen reiner oder leicht staubiger Luft besonders geeignet und kommt zur weiten Anwendung bei Wärmeverschwendung von elektrischen Schränken, Generatorräume, Lampen, Motoren usw. Sie kommt zur weiten Anwendung auch bei Kesselventilation und kleinen Ofen. Die Höchsttemperatur des Übungsfluidums kann bei Standarddurchführungen +80°C und bei SV Durchführungen +200°C sein. Das Flügelrad aus geschweißtem Stahlblech wird mit vorwärts gekrümmten Schaufeln (nach Schirokko Muster) gebaut. Die PA5 Serienlüftern werden serienmäßig nach Durchführung 5, das heißt ohne Motorstützebasis ausgestattet, gebaut. Die benutzte Serienmotoren sind der B5 Klasse, mit 2,4,6 oder 8 Polen, geschlossene, eigenbelüftete und UNEL-MEC IP55 Cl.F normiert.**



Serie de ventiladores de álabes hacia adelante contruidos para la obtención de presiones bajas y caudales bajos. La serie PA5 es especialmente apropiada para la aspiración de aire limpio o moderadamente polvoriento, siendo ampliamente utilizada en la disipación del calor derivado de armarios eléctricos, locales para generadores, extrusores, lámparas, motores, etc.... Muy utilizados también en la ventilación de calderas y pequeños hornos. La temperatura del fluido de trabajo puede alcanzar +80°C en la ejecución standard y hasta +200°C en la ejecución SV. Con oportunas modificaciones al producto de serie, se pueden alcanzar temperaturas más altas. La turbina en chapa de acerogalvanizado está construida con álabes hacia adelante (tipo scirocco). Los ventiladores de la serie PA5 se construyen de serie ejec.5, o sea equipados sin base de soporte motor. Los motores utilizados de serie son de construcción B5, de 2,4,6 o 8 polos, uni-ficados UNEL-MEC IP55 Cl.F.

# Esecuzioni e forme costruttive fornibili

*Arrangements and constructive forms - Arrangements et formes de construction disponibles - Baudurchführungen und Bauformen sind vorrätig - Ejecuciones y formas constructivas, con posibilidad de ser suministradas*



Esec. 5 – semplice aspirazione, accoppiamento diretto. Girante a sbalzo sul motore flangiato sostenuto dalla chiocciola.

**Ventilatore fornito completo di motore forma B5**

*Arrangement 5 – simple suction, direct drive. Overhanging impeller on flanged motor supported by the housing. Fan supplied with B5 construction motor*

*Arrangement 5 – aspiration simple, accouplement direct. Turbine clavetée en bout d'arbre du moteur à brides soutenu par la base.*

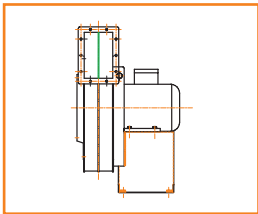
**Ventilateur livré avec moteur forme B5**

*Durchführung 5 - schlichtes Ansaugen, direkte Koppelung. Fliegend angeordnetes Laufrad auf dem durch die Spindelmutter abgestützten Flanschmotor.*

**Lüfter komplett mit B5 Motor ausgestattet (ohne Stuhl)**

*Ejec. 5 – aspiración simple, acoplamiento directo. Turbina acoplada directamente al eje del motor soportado a la voluta.*

**Ventilador suministrado completo de motor en construcción B5**



Esec. 4 – semplice aspirazione, accoppiamento diretto. Girante a sbalzo sul motore sostenuto dalla base.

**Ventilatore fornito completo di motore forma B3/B5**

*Arrangement 4 – simple suction, direct drive. Overhanging impeller on motor supported by the base. Fan supplied with B3/B5 construction motor*

*Arrangement 4 – aspiration simple, accouplement direct. Turbine clavetée en bout d'arbre du moteur soutenu par la base.*

**Ventilateur livré avec moteur forme B3/B5**

*Durchführung 4 – schlichtes Ansaugen, direkte Koppelung. Fliegend angeordnetes Laufrad auf dem durch die Basis abgestützten Motor.*

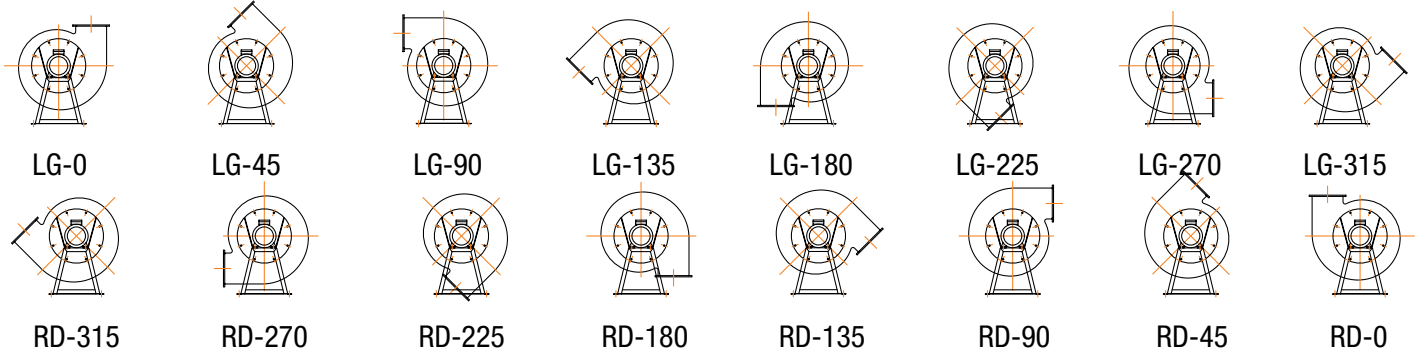
**Lüfter komplett mit B3/B5 Motor ausgestattet**

*Ejec. 4 – aspiración simple, acoplamiento directo. Turbina acoplada directamente al eje del motor soportado por la base.*

**Ventilador suministrado completo de motor en construcción B3/B5**

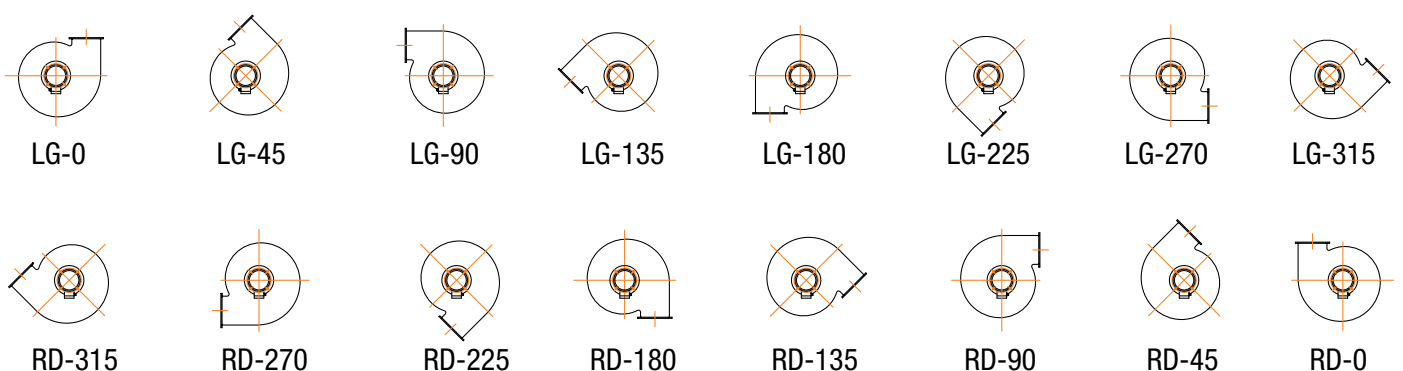
## > Orientamento ventilatori direttamente accoppiati (esecuzione 4) <

### > Discharge direction fans direct drive (arrangement 4) <

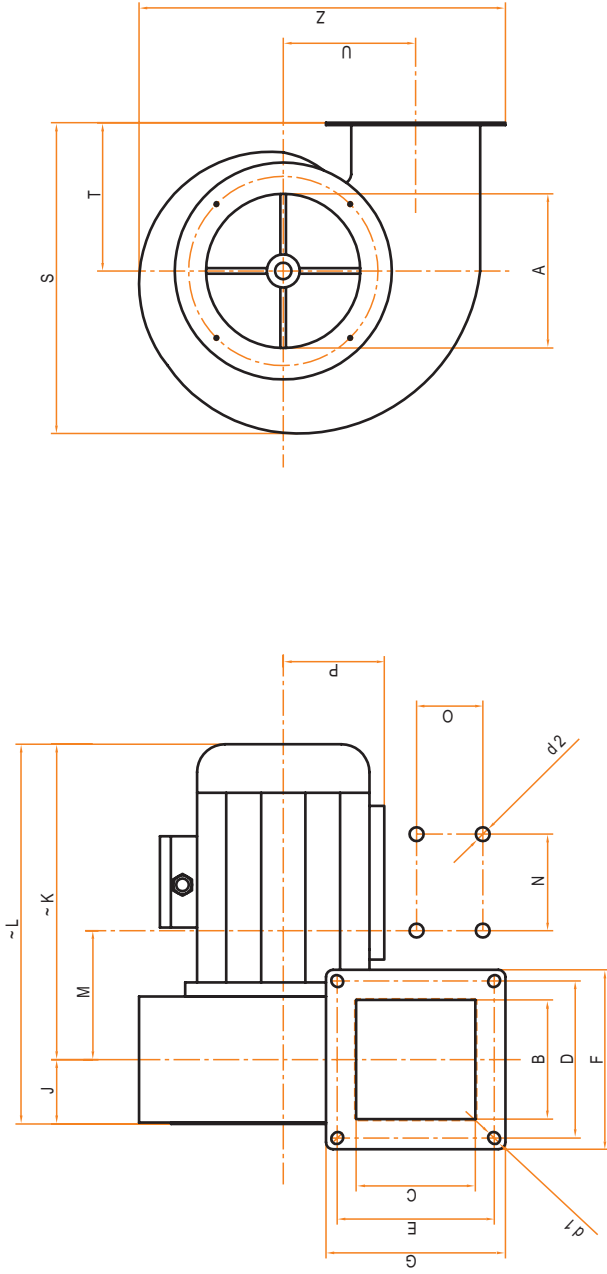


## > Orientamento ventilatori direttamente accoppiati (esecuzione 5) <

### > Discharge direction fans direct drive (arrangement 5) <



- > Dimensionale direttamente accoppiati <
- > Direct drive dimensional > Dimensionnel directement couplés
- > Direktgekoppelte Umfänge habend > Dimensional acoplados directamente



### Dimensioni serie PA5 direttamente accoppiati - Esec. 5

Modello	Motore	A	B	C	D	E	d1	d2	F	G	J	K	L	M	N	O	P	S	T	U	Z	kg
PA5-202	E-50	100	70	60	85	75	7	/	110	98	39	178	217	/	/	/	/	170	82	64	185	2,5
PA5-252	E-50	130	85	85	110	110	7	/	128	128	45	183	228	/	/	/	/	220	102	96	260	3
PA5-302	63 A-2	130	85	85	110	110	7	7	128	126	46	238	285	85	80	100	63	220	102	96	260	5,5
PA5-304	63 A-4	130	85	85	110	110	7	7	128	126	46	238	285	85	80	100	63	220	102	96	260	5,5
PA5-402	63 B-2	130	105	85	135	110	7	7	150	130	57	248	305	97	80	100	63	220	102	96	260	5,5
PA5-404	63 A-4	130	105	85	135	110	7	7	150	130	57	248	305	97	80	100	63	220	102	96	260	5,5
PA5-502	71 A-2	155	110	110	135	135	7	7	150	150	59	257	316	102	90	112	71	270	122	115	320	9,2
PA5-503	71 B-2	155	110	110	135	135	7	7	150	150	59	257	316	102	90	112	71	270	122	115	320	9,7
PA5-504	63 A-4	155	110	110	135	135	7	7	150	150	59	257	316	102	90	100	63	270	122	115	320	7,6
PA5-552	71 B-2	175	110	110	135	135	7	7	150	150	59	257	316	102	90	112	71	270	122	115	320	10
PA5-553	80 A-2	175	110	110	135	135	7	10	150	150	59	290	349	107	100	125	80	270	122	115	320	11,7
PA5-554	63 B-4	175	110	110	135	135	7	7	150	150	59	251	310	97	80	100	63	270	122	115	320	8
PA5-602	80 B-2	205	137	137	170	170	7	10	190	190	73	303	377	122	100	125	80	335	148	145	400	16
PA5-603	90 S-2	205	137	137	170	170	7	10	190	190	73	324	397	128	100	140	90	335	148	145	400	19,3
PA5-604	71 A-4	205	137	137	170	170	7	7	190	190	73	286	359	117	90	112	71	335	148	145	400	12
PA5-606	63 A-6	205	137	137	170	170	7	7	190	190	73	265	338	112	80	100	63	335	148	145	400	11
PA5-608	71 B-8	205	137	137	170	170	7	7	190	190	73	286	359	117	90	112	71	335	148	145	400	11

Tutte le quote sono espresse in mm. – Misure non impegnative – Il costruttore si riserva il diritto di modificarle senza preavviso

All the dimensions are shown in mm. – Non committal measure – The Manufacturer reserves the right to modify the dimensions without notice

Toutes les parties sont exprimées en mm. – Mesures pas contraignantes – Le Fabricant se réserve la faculté de modifier les parties sans préavis

Todas las quotas expresan en mm – Medidas no vinculantes – El Fabricante se reserva el derecho de modificar las quotas sin previo aviso

Die Quoten sind in mm. Ausgedrückt – nicht verbindliche Maße – Hersteller vorbehalten sich das Recht, die Quote fristlos zu ändern.

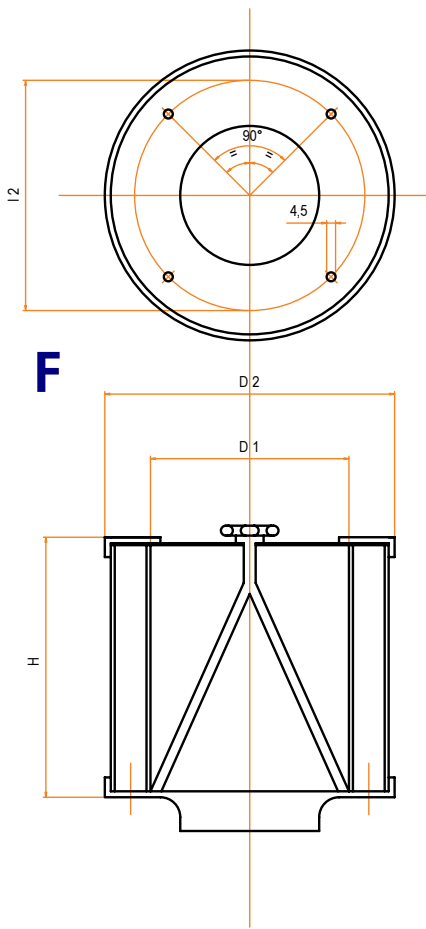
**> Prestazioni direttamente accoppiati <**  
**> Direct drive performance > Performances directement couplés**  
**> Direktgekoppelte Leistungen > Rendimientos acoplados directamente**

		Portata V = m <sup>3</sup> /h Portata V = m <sup>3</sup> /s																																																																																																																																																																																																																																																																																																																																																																																																																																																																																																																																																																																																																																																																																																																																																																																																																																																																																																																																																																																																																																																																																																																																																			
Modello	Motore	kW ass.	kW inst.	n° giri	dB/A*	80	110	140	170	200	230	260	300	340	380	420	470	520	580	650	720	790	860	950	1040	1130	1220	1310	1400	1500	1600	1700	1800	1900	2000	2100	2200	2300																																																																																																																																																																																																																																																																																																																																																																																																																																																																																																																																																																																																																																																																																																																																																																																																																																																																																																																																																																																																																																																																																																															
						0,022	0,031	0,039	0,047	0,056	0,064	0,072	0,083	0,094	0,106	0,117	0,131	0,144	0,161	0,181	0,200	0,219	0,239	0,264	0,289	0,314	0,339	0,364	0,389	0,417	0,444	0,472	0,500	0,528	0,556	0,584	0,611	0,638	0,665	0,692	0,719	0,746	0,773	0,800	0,827	0,854	0,881	0,908	0,935	0,962	0,989	1,016	1,043	1,070	1,097	1,124	1,151	1,178	1,205	1,232	1,259	1,286	1,313	1,340	1,367	1,394	1,421	1,448	1,475	1,502	1,529	1,556	1,583	1,610	1,637	1,664	1,691	1,718	1,745	1,772	1,799	1,826	1,853	1,880	1,907	1,934	1,961	1,988	2,015	2,042	2,069	2,096	2,123	2,150	2,177	2,204	2,231	2,258	2,285	2,312	2,339	2,366	2,393	2,420	2,447	2,474	2,501	2,528	2,555	2,582	2,609	2,636	2,663	2,690	2,717	2,744	2,771	2,798	2,825	2,852	2,879	2,906	2,933	2,960	2,987	3,014	3,041	3,068	3,095	3,122	3,149	3,176	3,203	3,230	3,257	3,284	3,311	3,338	3,365	3,392	3,419	3,446	3,473	3,500	3,527	3,554	3,581	3,608	3,635	3,662	3,689	3,716	3,743	3,770	3,797	3,824	3,851	3,878	3,905	3,932	3,959	3,986	4,013	4,040	4,067	4,094	4,121	4,148	4,175	4,202	4,229	4,256	4,283	4,310	4,337	4,364	4,391	4,418	4,445	4,472	4,499	4,526	4,553	4,580	4,607	4,634	4,661	4,688	4,715	4,742	4,769	4,796	4,823	4,850	4,877	4,904	4,931	4,958	4,985	5,012	5,039	5,066	5,093	5,120	5,147	5,174	5,201	5,228	5,255	5,282	5,309	5,336	5,363	5,390	5,417	5,444	5,471	5,498	5,525	5,552	5,579	5,606	5,633	5,660	5,687	5,714	5,741	5,768	5,795	5,822	5,849	5,876	5,903	5,930	5,957	5,984	6,011	6,038	6,065	6,092	6,119	6,146	6,173	6,200	6,227	6,254	6,281	6,308	6,335	6,362	6,389	6,416	6,443	6,470	6,497	6,524	6,551	6,578	6,605	6,632	6,659	6,686	6,713	6,740	6,767	6,794	6,821	6,848	6,875	6,902	6,929	6,956	6,983	7,010	7,037	7,064	7,091	7,118	7,145	7,172	7,199	7,226	7,253	7,280	7,307	7,334	7,361	7,388	7,415	7,442	7,469	7,496	7,523	7,550	7,577	7,604	7,631	7,658	7,685	7,712	7,739	7,766	7,793	7,820	7,847	7,874	7,901	7,928	7,955	7,982	8,009	8,036	8,063	8,090	8,117	8,144	8,171	8,198	8,225	8,252	8,279	8,306	8,333	8,360	8,387	8,414	8,441	8,468	8,495	8,522	8,549	8,576	8,603	8,630	8,657	8,684	8,711	8,738	8,765	8,792	8,819	8,846	8,873	8,900	8,927	8,954	8,981	9,008	9,035	9,062	9,089	9,116	9,143	9,170	9,197	9,224	9,251	9,278	9,305	9,332	9,359	9,386	9,413	9,440	9,467	9,494	9,521	9,548	9,575	9,602	9,629	9,656	9,683	9,710	9,737	9,764	9,791	9,818	9,845	9,872	9,899	9,926	9,953	9,980	10,007	10,034	10,061	10,088	10,115	10,142	10,169	10,196	10,223	10,250	10,277	10,304	10,331	10,358	10,385	10,412	10,439	10,466	10,493	10,520	10,547	10,574	10,601	10,628	10,655	10,682	10,709	10,736	10,763	10,790	10,817	10,844	10,871	10,898	10,925	10,952	10,979	11,006	11,033	11,060	11,087	11,114	11,141	11,168	11,195	11,222	11,249	11,276	11,303	11,330	11,357	11,384	11,411	11,438	11,465	11,492	11,519	11,546	11,573	11,600	11,627	11,654	11,681	11,708	11,735	11,762	11,789	11,816	11,843	11,870	11,897	11,924	11,951	11,978	12,005	12,032	12,059	12,086	12,113	12,140	12,167	12,194	12,221	12,248	12,275	12,302	12,329	12,356	12,383	12,410	12,437	12,464	12,491	12,518	12,545	12,572	12,599	12,626	12,653	12,680	12,707	12,734	12,761	12,788	12,815	12,842	12,869	12,896	12,923	12,950	12,977	13,004	13,031	13,058	13,085	13,112	13,139	13,166	13,193	13,220	13,247	13,274	13,301	13,328	13,355	13,382	13,409	13,436	13,463	13,490	13,517	13,544	13,571	13,598	13,625	13,652	13,679	13,706	13,733	13,760	13,787	13,814	13,841	13,868	13,895	13,922	13,949	13,976	14,003	14,030	14,057	14,084	14,111	14,138	14,165	14,192	14,219	14,246	14,273	14,300	14,327	14,354	14,381	14,408	14,435	14,462	14,489	14,516	14,543	14,570	14,597	14,624	14,651	14,678	14,705	14,732	14,759	14,786	14,813	14,840	14,867	14,894	14,921	14,948	14,975	15,002	15,029	15,056	15,083	15,110	15,137	15,164	15,191	15,218	15,245	15,272	15,299	15,326	15,353	15,380	15,407	15,434	15,461	15,488	15,515	15,542	15,569	15,596	15,623	15,650	15,677	15,704	15,731	15,758	15,785	15,812	15,839	15,866	15,893	15,920	15,947	15,974	16,001	16,028	16,055	16,082	16,109	16,136	16,163	16,190	16,217	16,244	16,271	16,298	16,325	16,352	16,379	16,406	16,433	16,460	16,487	16,514	16,541	16,568	16,595	16,622	16,649	16,676	16,703	16,730	16,757	16,784	16,811	16,838	16,865	16,892	16,919	16,946	16,973	17,000	17,027	17,054	17,081	17,108	17,135	17,162	17,189	17,216	17,243	17,270	17,297	17,324	17,351	17,378	17,405	17,432	17,459	17,486	17,513	17,540	17,567	17,594	17,621	17,648	17,675	17,702	17,729	17,756	17,783	17,810	17,837	17,864	17,891	17,918	17,945	17,972	18,000	18,027	18,054	18,081	18,108	18,135	18,162	18,189	18,216	18,243	18,270	18,297	18,324	18,351	18,378	18,405	18,432	18,459	18,486	18,513	18,540	18,567	18,594	18,621	18,648	18,675	18,702	18,729	18,756	18,783	18,810	18,837	18,864	18,891	18,918	18,945	18,972	19,000	19,027	19,054	19,081	19,108	19,135	19,162	19,189	19,216	19,243	19,270	19,297	19,324	19,351	19,378	19,405	19,432	19,459	19,486	19,513	19,540	19,567	19,594	19,621	19,648	19,675	19,702	19,729	19,756	19,783	19,810	19,837	19,864	19,891	19,918	19,945	19,972	20,000	20,027	20,054	20,081	20,108	20,135	20,162	20,189	20,216	20,243	20,270	20,297	20,324	20,351	20,378	20,405	20,432	20,459	20,486	20,513	20,540	20,567	20,594	20,621	20,648	20,675	20,702	20,729	20,756	20,783	20,810	20,837	20,864	20,891	20,918	20,945	20,972	21,000	21,027	21,054	21,081	21,108	21,135	21,162	21,189	21,216	21,243	21,270	21,297	21,324	21,351	21,378	21,405	21,432	21,459	21,486	21,513	21,540	21,567	21,594	21,621	21,648	21,675	21,702	21,729	21,756	21,783	21,810	21,837	21,864	21,891	21,918	21,945	21,972	22,000	22,027	22,054	22,081	22,108	22,135	22,162	22,189	22,216	22,243	22,270	22,297	22,324	22,351	22,378	22,405	22,432	22,459	22,486	22,513	22,540	22,567	22,594	22,621	22,648	22,675	22,702	22,729	22,756	22,783	22,810	22,837	22,864	22,891	22,918	22,945	22,972	23,000	23,027	23,054	23,081	23,108	23,135	23,162	23,189	23,216	23,243	23,270	23,297	23,324	23,351	23,378	23,405	23,432	23,459	23,486	23,513	23,540	23,567	23,594	23,621	23,648	23,675	23,702	23,729	23,756	23,783	23,810	23,837	23,864	23,891	23,918	23,945	23,972	24,000	24,027	24,054	24,081	24,108	24,135	24,162	24,189	24,216	24,243	24,270	24,297	24,324	24,351	24,378	24,405	24,432	24,459	24,486	24,513	24,540	24,567	24,594	24,621	24,648	24,675	24,702	24,729	24,756	24,783	24,810	24,837	24,864	24,891	24,918	24,945	24,972	25,000	25,027	25,054	25,081	25,108	25,135	25,162	25,189	25,216	25,243	25,270	25,297	25,324	25,351	25,378	25,405	25,432	25,459	25,486	25,513	25,540	25,567	25,594	25,621	25,648	25,675	25,702	25,729	25,756	25,783	25,810	25,837	25,864	25,891	25,918	25,945	25,972	26,000	26,027	26,054	26,081	26,108	26,135	26,162	26,189	26,216	26,243	26,270	26,297	26,324	26,351	26,378	26,405	26,432	26,459	26,486	26,513	26,540	26,567	26,594	26,621	26,648	26,675	26,702	26,729	26,756	26,783	26,810	26,837	26,864	26,891	26,918	26,945	26,972	27,000	27,027	27,054	27,081	27,108	27,135	27,162	27,189	27,216	27,243	27,270	27,297	27,324	27,351	27,378	27,405	27,432	27,459	27,486	27,513	27,540	27,567	27,594	27,621	27,648	27,675	27,702	27,729	27,756	27,783	27,810	27,837	27,864	27,891	27,918	27,945	27,972	28,000	28,027	28,054	28,081	28,108	28,135	28,162	28,189	28,216	28,243	28,270	28,297	28,324	28,351	28,378	28,405	28,432	28,459	28,486	28,513	28,540	28,567	28,594	28,621	28,648	28,675	28,702	28,729	28,756	28,783	28,810	28,837	28,864	28,891	28,918	28,945	28,972	29,000	29,027	29,054	29,081	29,108	29,135	29,162	29,189	29,216	29,243	29,270	29,297	29,324	29,351	29,378	29,405	29,432	29,459	29,486	29,513	29,540	29,567

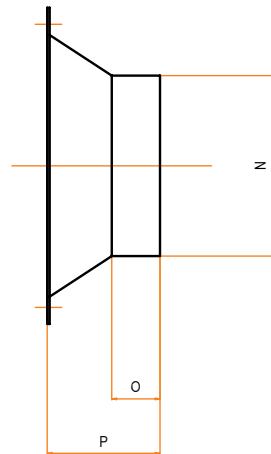
# Accessori

## Accessories - Accessoires - Zubehör - Accesorios

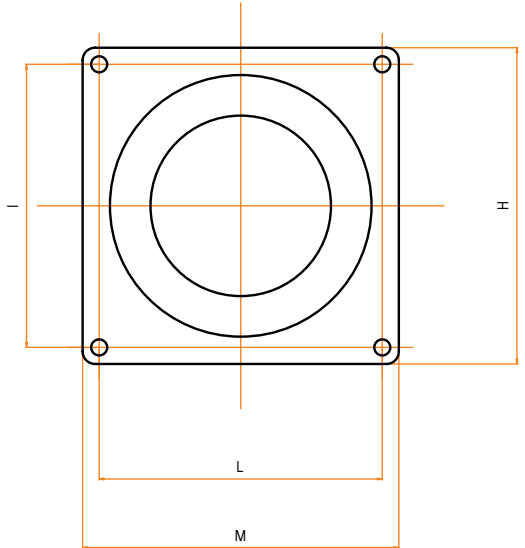
# PA5



**F**



**RQT**



**F** > Filtro rigenerabile sulla bocca aspirante - *Reusable filter on the fan inlet - Filtre régénérable sur la bouche d'aspiration - Wiederverwendbarer Filter auf Ansaugstutzen - Filtro reutilizable en el orificio de aspiración*

**RQT** > Raccordo quadro tondo sulla bocca di mandata - *Square-round joint on the fan outlet - Raccord carré-ronde sur la bouche de refoulement - Quadrat-Rundanschluß auf Beschickungsstutzen - Unión cuadrada-redonda en el orificio de salida*

Modello	F				
	Tipo	D <sub>1</sub>	D <sub>2</sub>	H	I <sub>2</sub>
202	F1	100	140	125	118
252					
302					
304	F2	130	170	165	150
402					
404					
502	F3	155	195	195	176
503					
504					
552	F4	175	215	220	195
553					
554					
602	F5	200	240	250	225
603					
604					
606					
608					

Modello	RQT							
	Tipo	H	I	L	M	N	O	P
202	RQT1	100	85	95	110	61	10	45
252								
302	RQT2	128	110	110	128	78	15	57
304								
402	RQT3	130	115	135	150	98	15	57
404								
502								
503	RQT4	150	135	135	150	118	15	61
504								
552								
553								
554								
602								
604	RQT5	190	170	170	190	148	20	78
606								
608								
603								

Tutte le quote sono espresse in mm. – Misure non impegnative – Il costruttore si riserva il diritto di modificarle senza preavviso

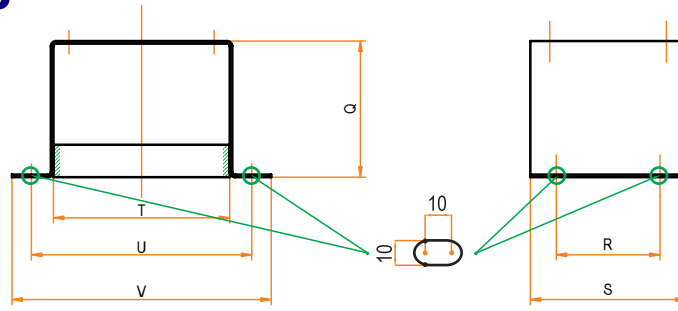
All the dimensions are showed in mm. – Non committal measure – The Manufacturer reserves the right to modify the dimensions without notice

Toutes les parties sont exprimées en mm. – Mesures pas contraignantes – Le Fabricant se reserve la faculté de modifier les parties sans préavis

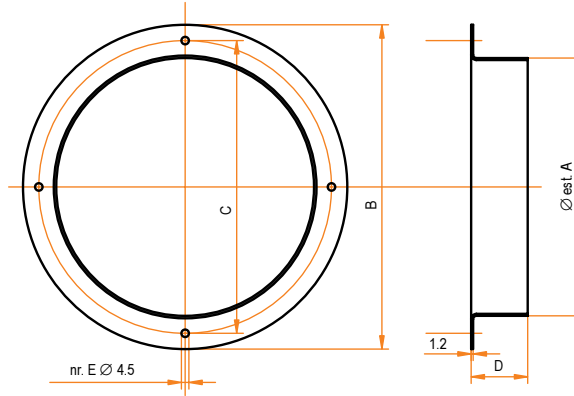
Todas las quotas expresan en mm – Medidas no vinculantes – El Fabricante se reserve el derecho de modificar las quotas sin previo aviso

Die Quoten sind in mm. Ausgedrückt – nicht verbindliche Maße – Hersteller vorbehaltet sich das Recht, die Quote fristlos zu ändern.

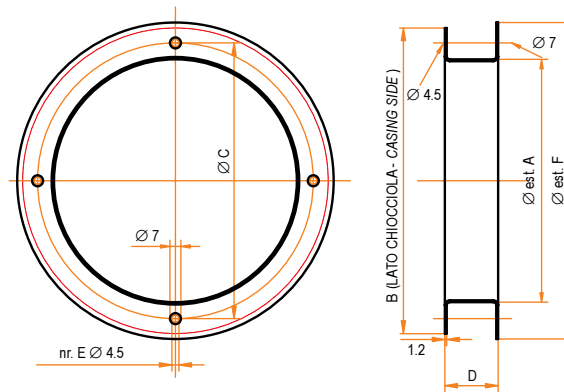
## BS



## RNF



## RF



**BS** > Base di sostegno del motore - *Motor support base* - *Base de soutien du moteur* - *Motor-Standblech* - *Base de apoyo del motor*

**RF** > Raccordo flangiato sulla bocca aspirante - *Flanged inlet joint* - *Embout à brides* - *Flanschstück* - *Unión embridada*

**RNF** > Raccordo non flangiato sulla bocca aspirante - *Inlet joint without flange* - *Embout sans brides* - *Unflanschstück* - *Unión no embridada*

Modello	BS						
	Base	Q	R	S	T	U	V
202	---	---	---	---	---	---	---
252	---	---	---	---	---	---	---
302	BS1	105	80	120	140	170	200
304							
402							
404							
502	BS2	135	90	130	160	190	220
503							
504							
552							
553							
554							
602	BS3	175	90	130	165	195	225
604							
606							
608							
603	BS4	175	115	155	165	195	225

Modello	RF/RNF						
	Tipo	A	B	C	D	E	F
202	RF1/RNF1	98	128	118	37,5	3	142
252	RF2/RNF2	128	159	150	34,5	4	177
302							
304							
402							
404							
502	RF3/RNF3	158	195	176	34	4	202
503							
504							
552	RF4/RNF4	178	205	195	36	4	215
553							
554							
602	RF5/RNF5	198	244	225	30	4	242
603							
604							
606							
608							

Tutte le quote sono espresse in mm. – Misure non impegnative – Il costruttore si riserva il diritto di modificarle senza preavviso

All the dimensions are showed in mm. – Non committal measure – The Manufacturer reserves the right to modify the dimensions without notice

Toutes les parties sont exprimées en mm. – Mesures pas contraignantes – Le Fabricant se reserve la faculté de modifier les parties sans préavis

Todas las quotas expresan en mm – Medidas no vinculantes – El Fabricante se reserve el derecho de modificar las quotas sin previo aviso

Die Quoten sind in mm. Ausgedrückt – nicht verbindliche Maße – Hersteller vorbehaltet sich das Recht, die Quote fristlos zu ändern.